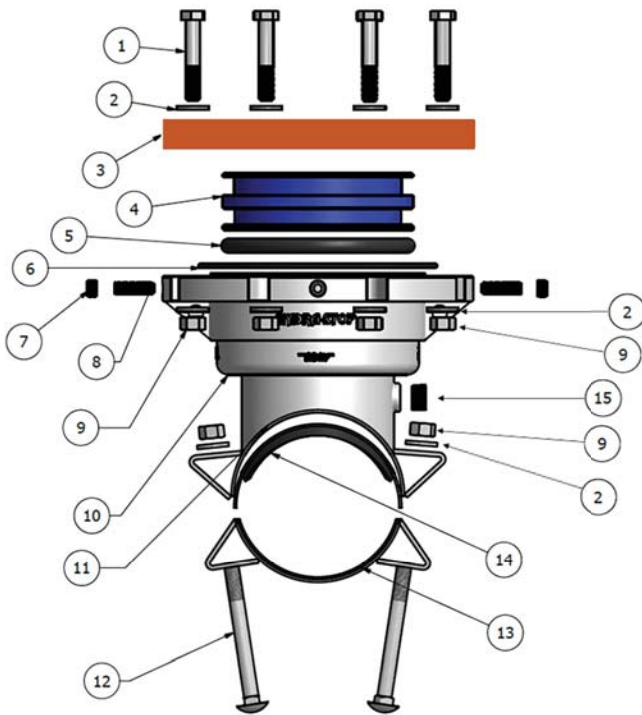


# HSF 250 Patriot™

## Heavy Duty Line Stop Fitting - 4 - 12 inch Nominal Sizes

### Product Cut Sheet



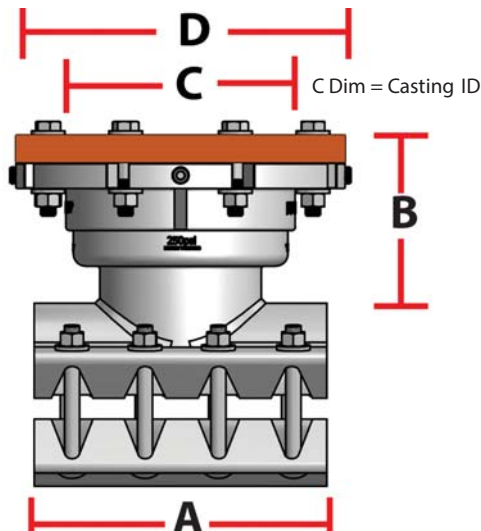
PARTS LIST			
ITEM	QTY	PART NUMBER	MATERIAL
1	8	BLIND FLANGE BOLTS	304 STAINLESS STEEL***
2	24	BLIND FLANGE WASHERS (16) BODY MOUNT WASHERS (8)**	304 STAINLESS STEEL***
3	1	BLIND FLANGE	EPOXY COATED CARBON STEEL****
4	1	PIN STYLE COMPLETION PLUG	REINFORCED COMPOSITE POLYMER
5	1	COMPLETION PLUG O-RING	RUBBER, BLACK BUNA-N
6	1	FLANGE O-RING	RUBBER, BLACK BUNA-N
7	4	PIN PLUGS	304 STAINLESS STEEL
8	4	COMPLETION PLUG PINS	SAE GRADE 8 STEEL ZINC COATED
9	16	BLIND FLANGE NUT (8) BODY MOUNT NUT (8)**	304 STAINLESS STEEL***
10	1	HSF 250 FITTING BODY	304 STAINLESS STEEL
11	1	TOP MOUNTING BODY	304 STAINLESS STEEL
12	8**	BODY MOUNT CARRIAGE BOLTS	304 STAINLESS STEEL***
13	1	BOTTOM MOUNTING BODY	304 STAINLESS STEEL
14	1	TOP BODY SEALING GASKET	RUBBER, BLACK NBR
15	1	TEST PORT PLUG	304 STAINLESS STEEL*

\* Coated to prevent galling.

\*\* 8" fitting requires 10 mounting bolts, nuts and washers. 10" and 12" fittings require 14 mounting bolts, nuts and washers and 12 blind flange bolts and nuts and 24 blind flange washers.

\*\*\* Domestic option available at additional cost.

\*\*\*\* Domestic Stainless Steel Flange option available at additional cost.



Weights and Dims					
Size	A	B	C	D	Approx. Weight
4"	12"	7.501	8.4	13.5	113 lbs
6"	12"	6.92	8.4	13.5	118 lbs
8"	16"	5.571	8.4	13.5	126 lbs
10"	24"	7.5	12.4	19	240 lbs
12"	24"	7.5	12.4	19	250 lbs

Other Specifications
Minimum Test Pressure: 1.5 times system working pressure
Maximum Test Pressure: 375 psi
Maximum Working Pressure: 250 psi

Proprietary Information: This property of Hydra-Stop shall not be used, reproduced or distributed without written consent. All design and invention rights are reserved.

APPROVED BY:

Name: \_\_\_\_\_

Title: \_\_\_\_\_

Date: \_\_\_\_/\_\_\_\_/\_\_\_\_

