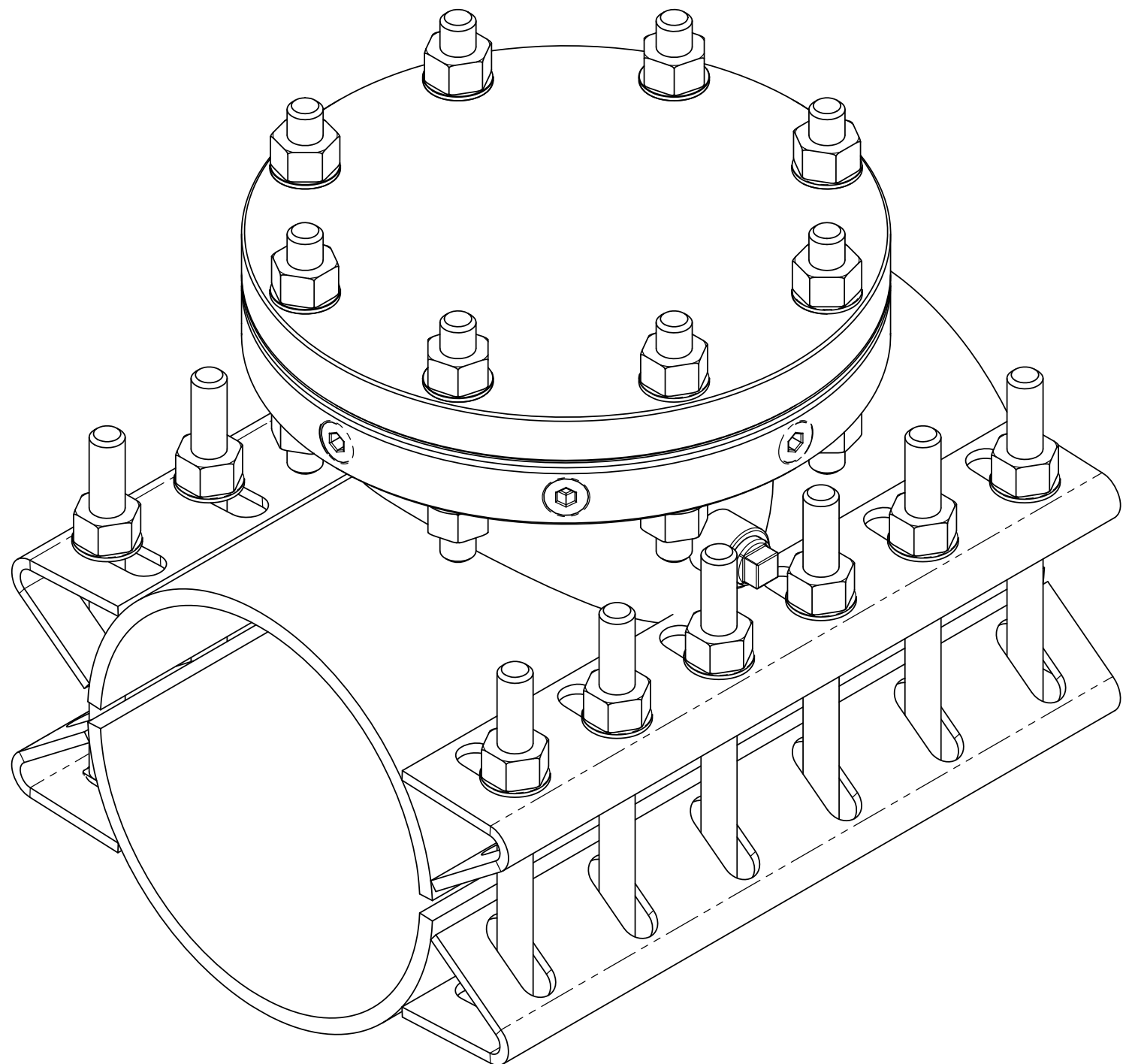


REV	BY	DATE	DESCRIPTION
---	---	---	---



ITEM NO.	PART NUMBER	DESCRIPTION	QTY.
1	Body 622-1740 x 12 200 psi	A283C Carbon Steel	1
2	Bottom 622-1740 x 12 200 psi	A283C Carbon Steel	1
3	Lug V 3-4 on 4 x 24	A283C Carbon Steel	4
4	12in Pin Line Stop Neck - 200 psi	A53B Carbon Steel	1
5	Coupling Half 3-4in	Carbon Steel	1
6	12in Pin Line Stop Flange - 200 psi	A36 Carbon Steel	1
7	Bolt 3-4 x 9 Track	304SS	12
8	Nut 3-4 HH	304SS	12
9	Washer Flat 3-4in	304SS	12
10	Gasket 622-1740 x 12	Buna-N ANSI/NSF-61 Listed	1
11	Test Plug 3-4in	Carbon Steel	1
12	Flange Blind 12in AWWA D	A36 Carbon Steel	1
13	Gasket 12in ANSI FF	Buna-N	1
14	Stud 7-8 x 8	HSLA Carbon Steel	12
15	O-Ring 12in	Buna-N	1
16	12in Pin Line Stop Plug - 200 psi	A36 Carbon Steel	1
17	Screw Set .75 x 2.00	HSLA Carbon Steel	6
18	Test Plug 3-4in Socket Head Flush Mount	Carbon Steel	6

NOTE:
 1) MAWP = 200 PSI WITH MATP = 300 PSI HYDROSTATIC
 2) FINISH = FUSION EPOXY - OCEAN BLUE

TOLERANCES U.N.O. .XX = ±.06 .XXX = ±.015 FRACTIONS = ANGLES = ±1° MACH. FIN = ALL DIMENSIONS ARE IN INCHES.	NOTES: REMOVE BURRS AND SHARP EDGES DO NOT SCALE DWG.	APP'D	DATE
		CK'D	DATE
		DRN	DATE

TITLE
16" & 20" X 12" LINESTOP PIN PLUG

SMITH-BLAIR	P/N	RPPCS17401212P
	DWG. NO.	SK-1 7-30-19

Sheet Size = 11 X 17

1	OF	---
2	OF	---
SHEET	REV.	---