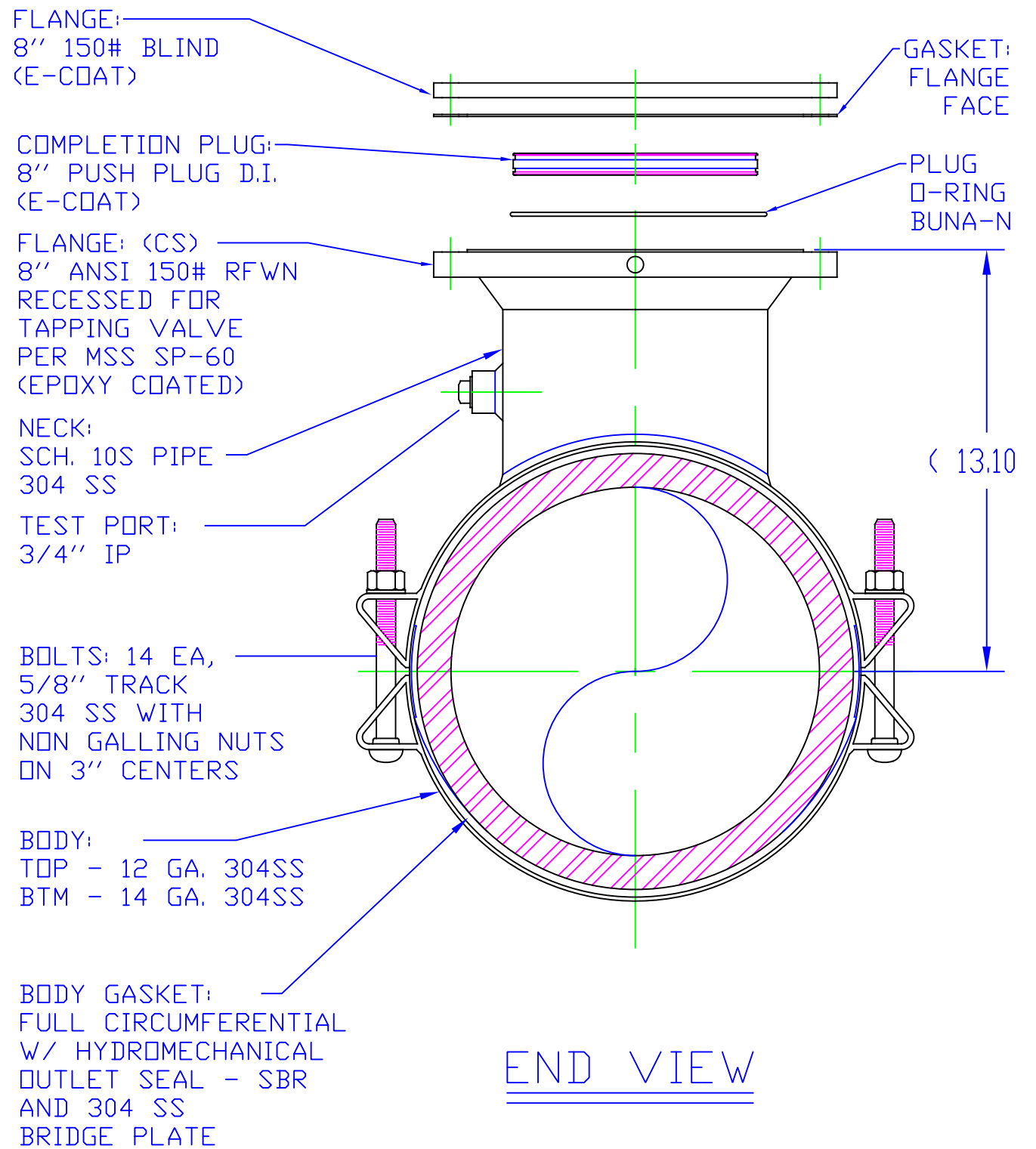


SECTION



END VIEW

- FLANGE: 8" 150# BLIND (E-COAT)
- COMPLETION PLUG: 8" PUSH PLUG D.I. (E-COAT)
- FLANGE: (CS) 8" ANSI 150# RFWN RECESSED FOR TAPPING VALVE PER MSS SP-60 (EPOXY COATED)
- NECK: SCH. 10S PIPE 304 SS
- TEST PORT: 3/4" IP
- BOLTS: 14 EA, 5/8" TRACK 304 SS WITH NON GALLING NUTS ON 3" CENTERS
- BODY: TOP - 12 GA. 304SS
BTM - 14 GA. 304SS
- BODY GASKET: FULL CIRCUMFERENTIAL W/ HYDROMECHANICAL OUTLET SEAL - SBR AND 304 SS BRIDGE PLATE
- GASKET: FLANGE FACE
- PLUG O-RING BUNA-N

- NOTES:
1. DESIGN & FAB. PER AWWA C223
 2. WORKING PRESSURE: 150 PSI
 3. FINISH: PASSIVATED
PLUG & BLIND FLG: E-COAT
LINESTOP FLG: FUSION EPOXY
 4. FASTENERS: 304 SS
 5. FAB TO LSA

THIS DRAWING INCLUDING ALL NOVEL AND PATENTED OR PATENTABLE SUBJECT MATTER EMBODIES CONFIDENTIAL INFORMATION OF JCM INDUSTRIES, INC. AND IS LOANED WITH THE UNDERSTANDING THAT IT WILL NOT BE REPRODUCED NOR BE USED FOR ANY PURPOSE EXCEPT FOR WHICH LOANED UNLESS WRITTEN PERMISSION IS GRANTED BY THE OWNER AND THAT IT SHALL BE RETURNED UPON DEMAND.

						440 - 4 x 4, 6 x 6, 8 x 8, 10 x 8, 12 x 8 Type 14 STAINLESS STEEL LINE STOP FITTING w/ CS FLANGE											
				48595 West Road Wixom, MI 48393		UNLESS OTHERWISE SPECIFIED TOLERANCES TO BE		DRAWN BY BDR		CHECKED BY		APVD. BY		DWG. NO. GEN-020206		REV.	
						FRACTIONS DECIMALS ANGLES		DATE 09/10/20		NO. SHEETS 1 of 1		SCALE		PART NO.		-	
REVISIONS				DATE		S BY APVD.											
						± 1/8" .063 2°											